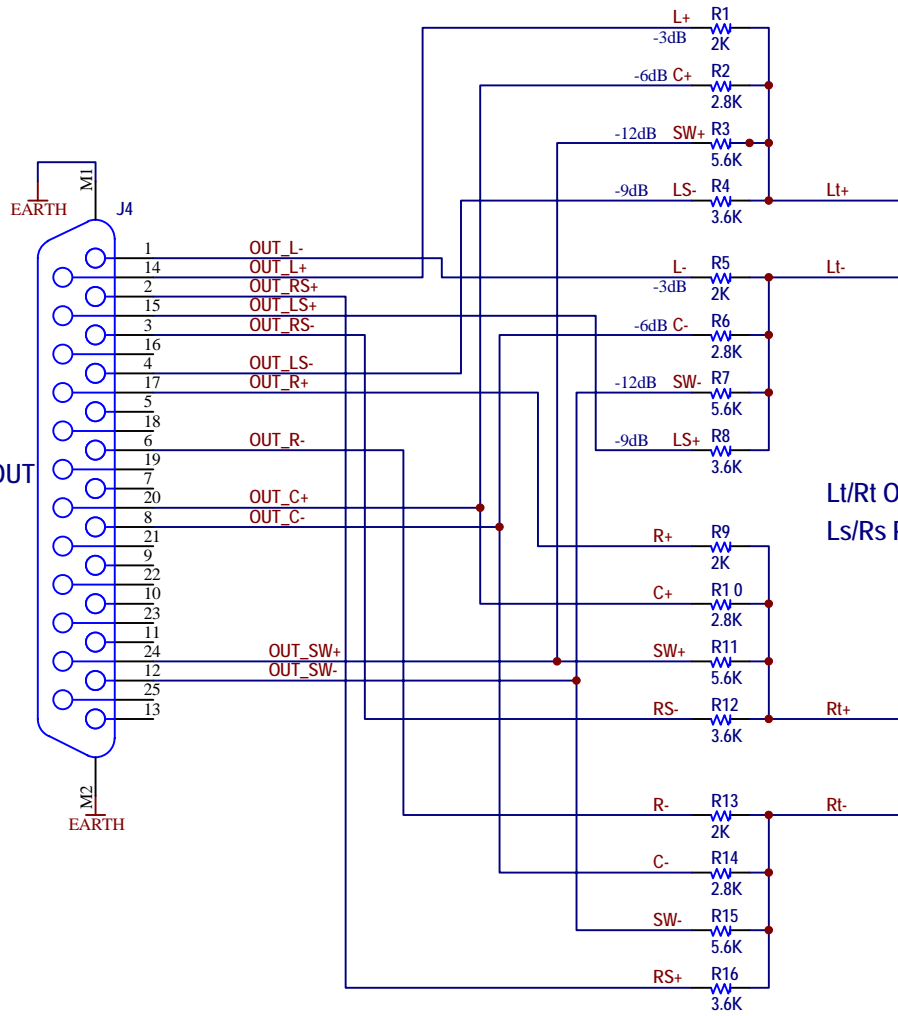


DAX 602 ANALOG OUT



Lt/Rt OUTPUT (TO 10K INPUT)  
Ls/Rs PHASE REVERSED

Title		
<b>DAX-DIT DONGLE</b>		
Size	Number	Revision
A		
Date:	9-May-2011	Sheet of
File:	C:\Documents and Settings\bdunn\My Documents\Projects\JAXDAC\DriveIn\DAX-602DTT_REV_B1.ddb	